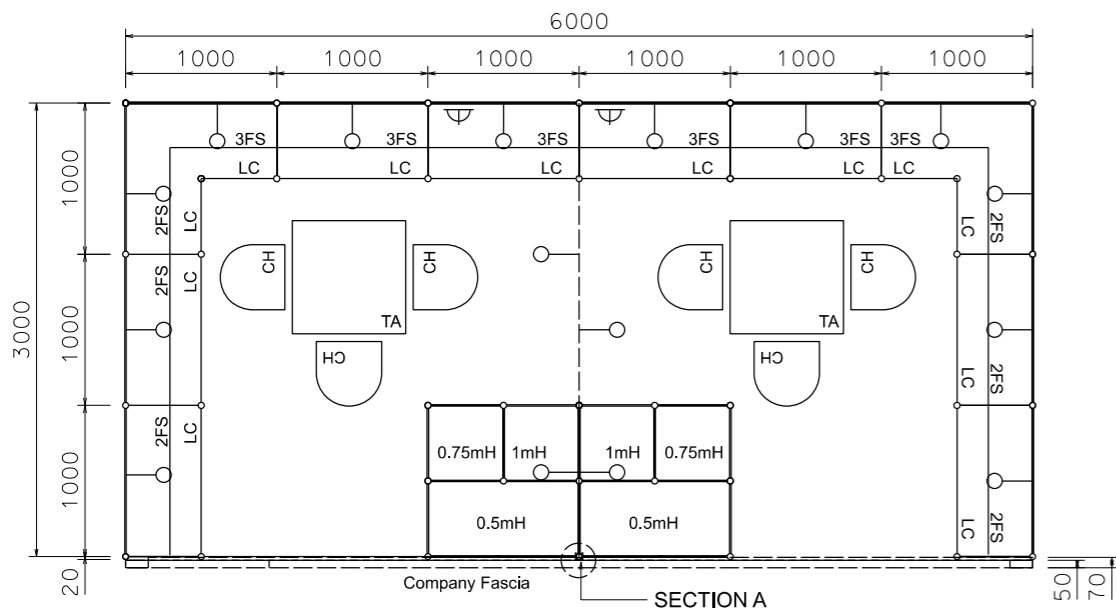
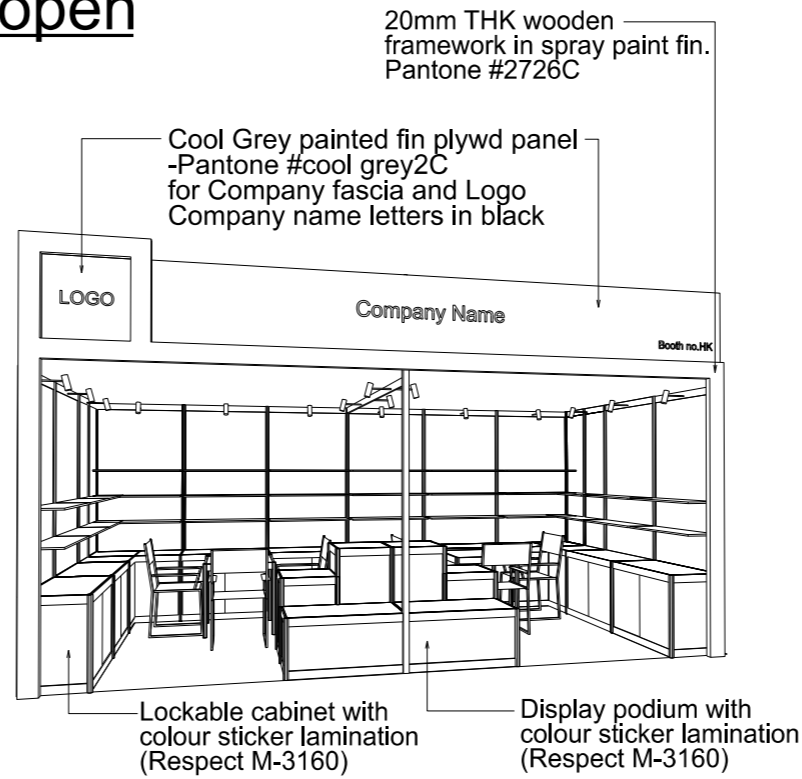


Premium Booth 6mW x 3mD One side open

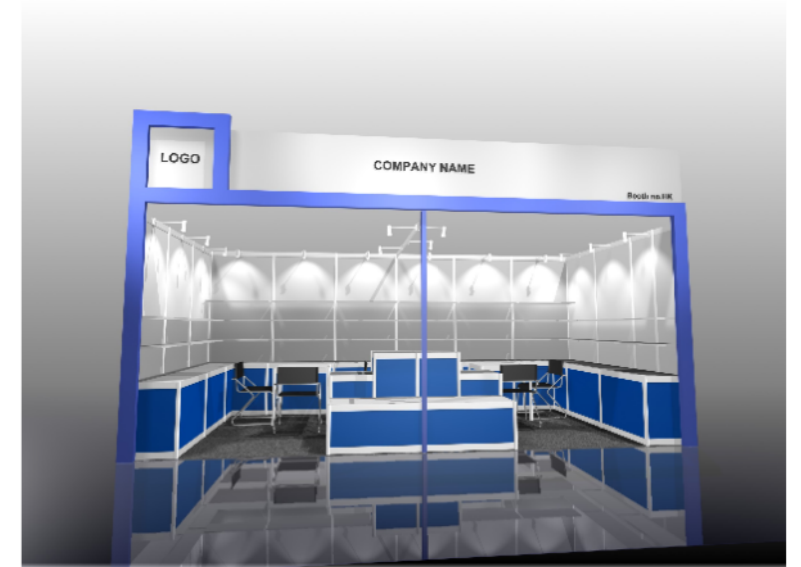
SD-B-18 _ 6mW x 3mD x 3.5mH



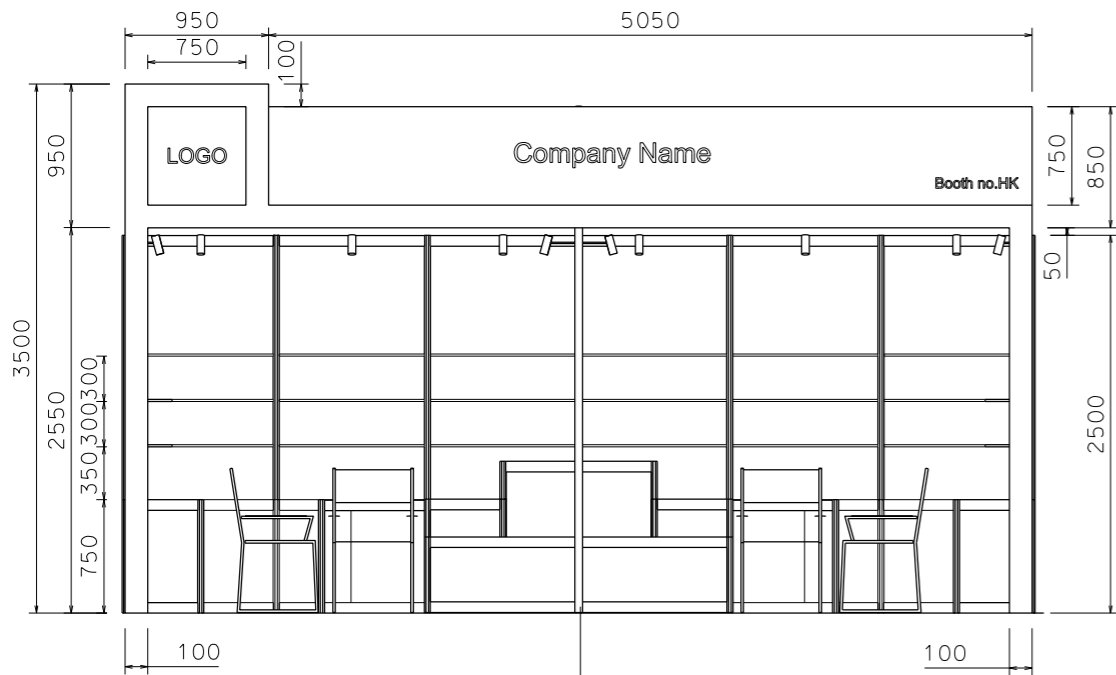
PLAN



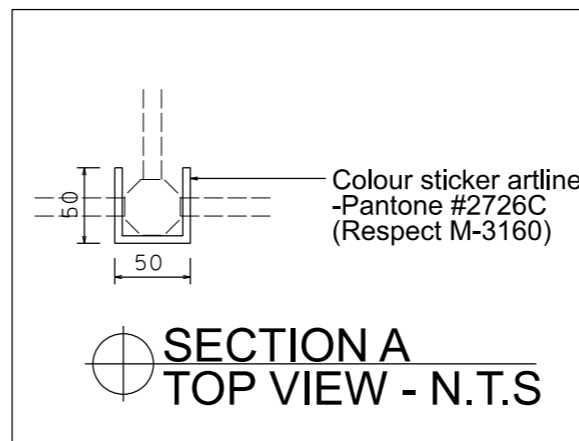
PERSPECTIVE N.T.S



COLOUR PERSPECTIVE N.T.S



FRONT ELEVATION



SECTION A TOP VIEW - N.T.S

BOOTH SPECIFICATION		QTY
	Lockable cabinet in purple-blue sticker lamination (1mL x 0.5mD x 0.75mH)	11
	Wooden shelf (flat) (1mL x 0.3mD)	30
	0.5mX 0.5mX 1mH display podium in blue sticker lamination	2
	0.5mX 0.5mX 0.75mH display podium in blue sticker lamination	2
	0.5mX 1mX 0.5mH display podium in blue sticker lamination	2
	Square meeting table (0.7m X0.7m x 0.75mH)	2
	Black leather chair	6
	Longarmed spotlight w/13 watt LED lamp (yellow)	16
	500w Square pin power socket	2
	Company logo	1

FILE PATH - L:\Local Fair Premium Booth 2011\SD-Layouts\13W Lamp\SD-B layout\SD-B-2dLayout.dgn



NOTES UNLESS OTHERWISE SPECIFIED ALL DIMENSIONS ARE IN MM.

.....

REVISION
 09-02-2009
 11-05-2009
 14-07-2009
 20-01-2010
 07-04-2011
 29-11-2018

DATE: 29-11-2018
 SCALE: 1 : 50 (A3)
 DRAWN BY: ..
 CHECKED BY:

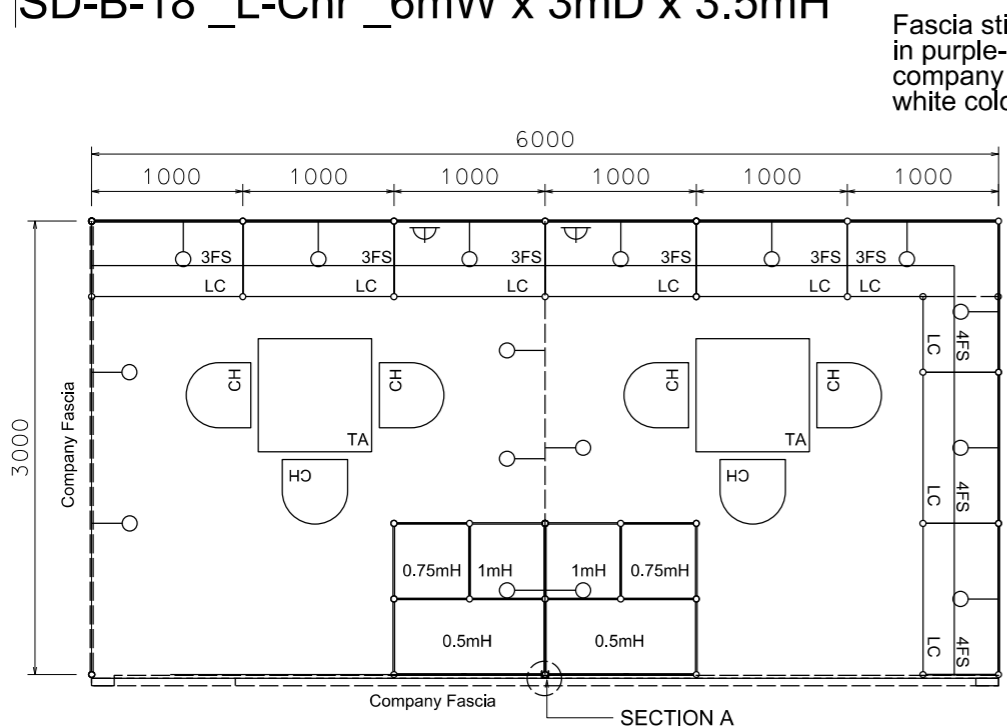
TITLE
 Premium Booth SD-B-18

PROJECT
 PREMIUM BOOTH 6m x 3m
 DATE: XXXXXXXX

SHEET
 SD-B05

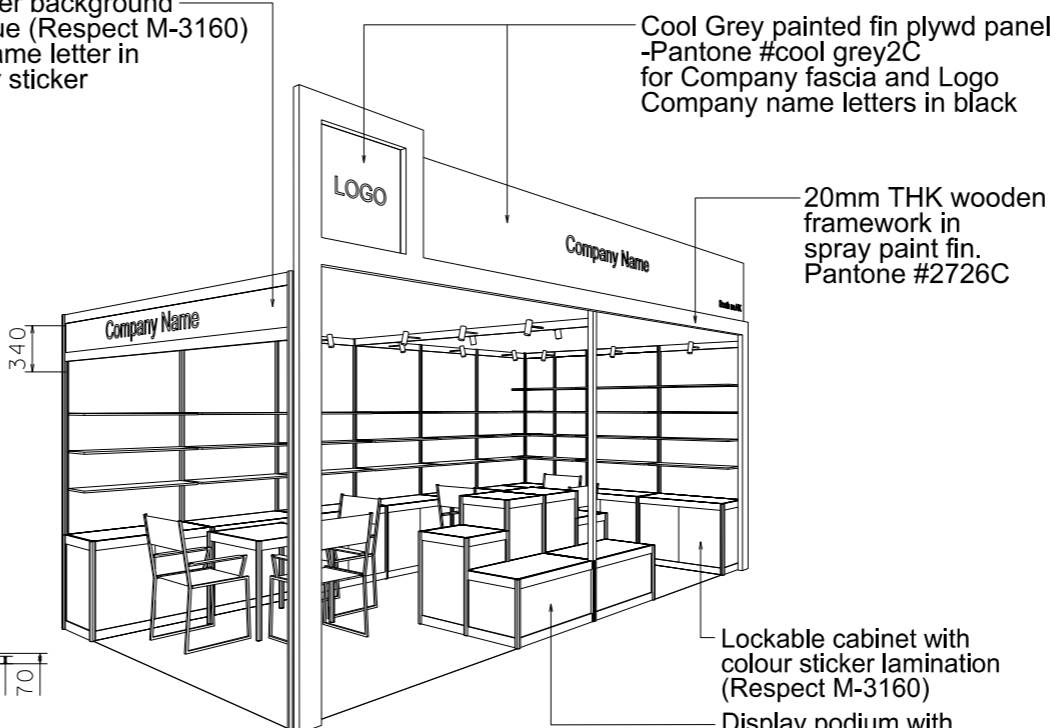
Premium Booth 6mW x 3mD Left Corner Booth

SD-B-18 _L-Cnr_ 6mW x 3mD x 3.5mH



PLAN

Fascia sticker background in purple-blue (Respect M-3160) company name letter in white colour sticker

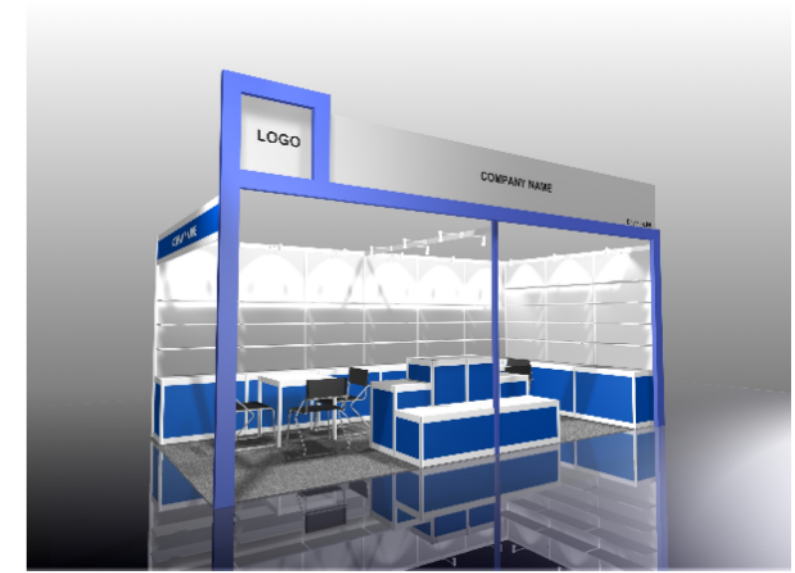


PERSPECTIVE N.T.S

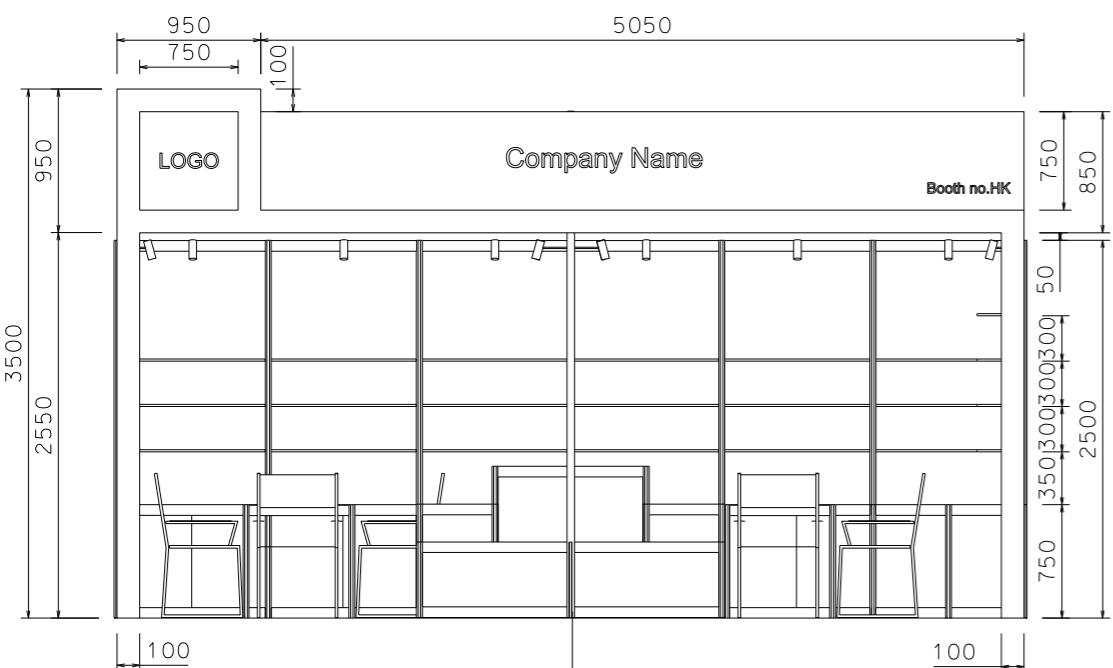
Cool Grey painted fin plywd panel -Pantone #cool grey2C for Company fascia and Logo Company name letters in black

20mm THK wooden framework in spray paint fin. Pantone #2726C

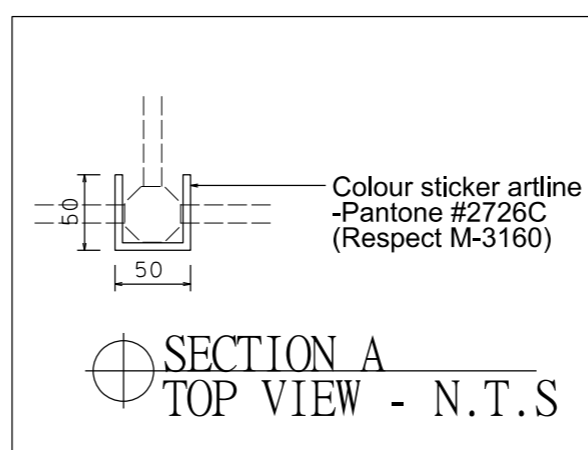
Lockable cabinet with colour sticker lamination (Respect M-3160)
Display podium with colour sticker lamination (Respect M-3160)



COLOUR PERSPECTIVE N.T.S



FRONT ELEVATION



SECTION A TOP VIEW - N.T.S

BOOTH SPECIFICATION		QTY
	Lockable cabinet in purple-blue sticker lamination (1mL x 0.5mD x 0.75mH)	8.5
	Wooden shelf (flat) (1mL x 0.3mD)	30
	0.5mX 0.5mX 1mH display podium in blue sticker lamination	2
	0.5mX 0.5mX 0.75mH display podium in blue sticker lamination	2
	1mX 0.5mX 0.5mH display podium in blue sticker lamination	2
	Square meeting table (0.7m X0.7m x 0.75mH)	2
	Black leather chair	6
	Longarmed spotlight w/13 watt LED lamp (yellow)	16
	500w Square pin power socket	2
	Company logo	1

FILE PATH - L:\Local Fair Premium Booth 2011\SD-Layouts\SD-B layout\SD-B-2dLayout.dgn



NOTES UNLESS OTHERWISE SPECIFIED ALL DIMENSIONS ARE IN MM.

.....

.....

.....

REVISION
09-02-2009
14-07-2009
22-07-2009
20-01-2010
07-04-2011
29-11-2018

DATE:	29-11-2018
SCALE:	1 : 50 (A3)
DRAWN BY:	..
CHECKED BY:

TITLE

Premium Booth
SD-B-18
L-corner

PROJECT

PREMIUM BOOTH
6m x 3m

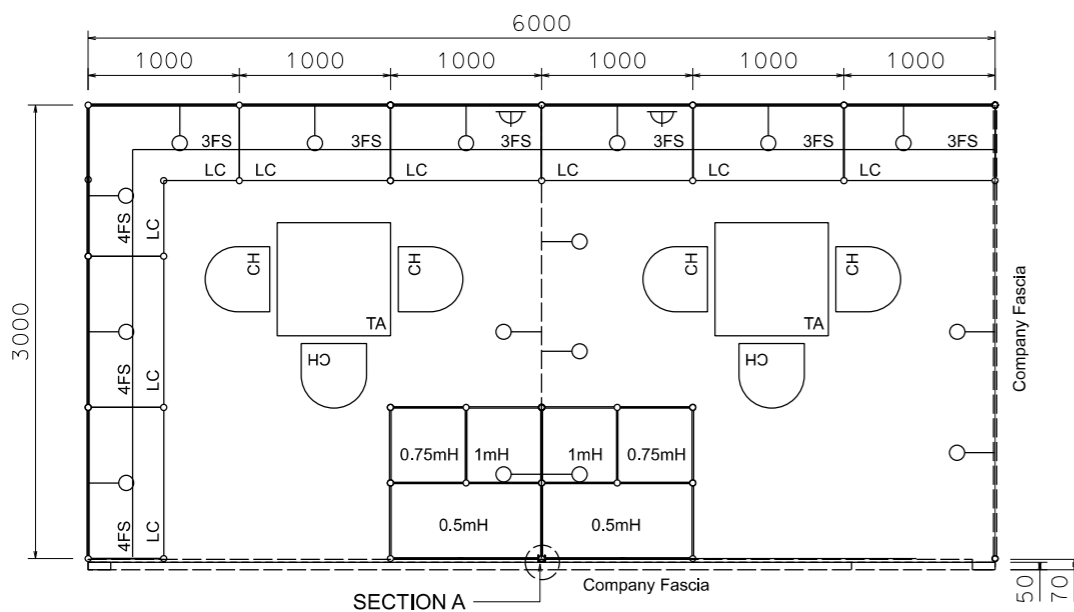
DATE: XXXXXXXX

SHEET

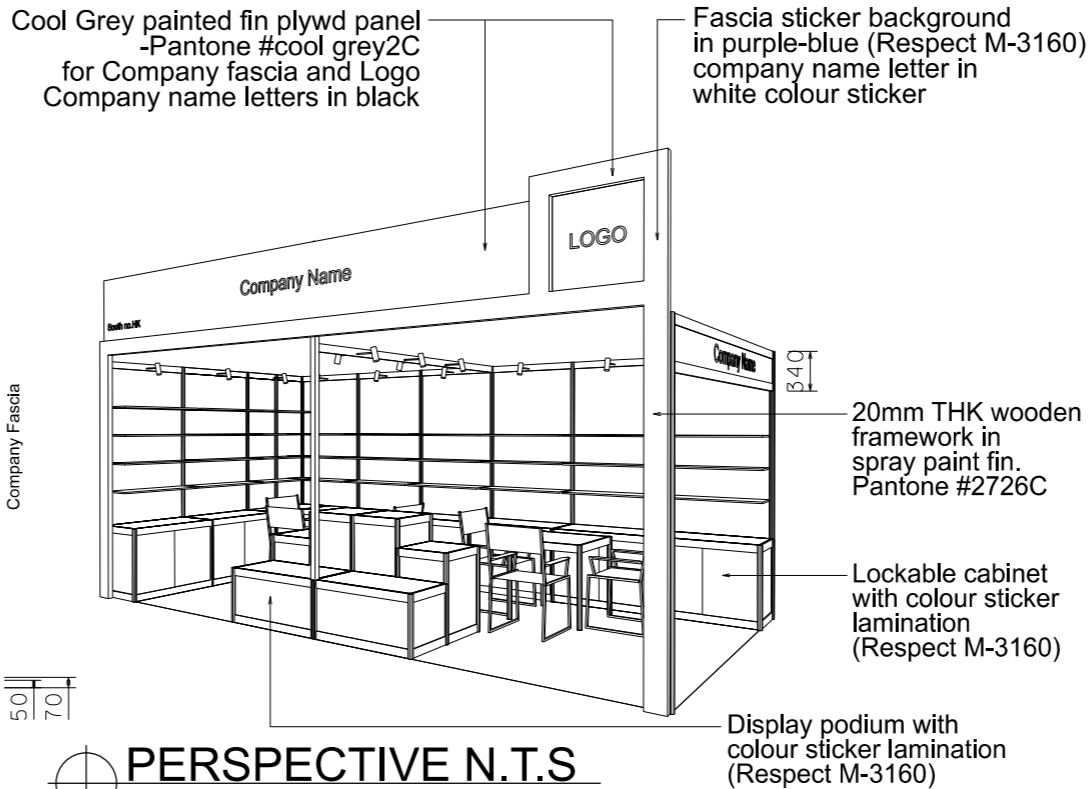
SD-B05a

Premium Booth 6mW x 3mD Right Corner Booth

SD-B-18_R-Cnr_6mW x 3mD x 3.5mH



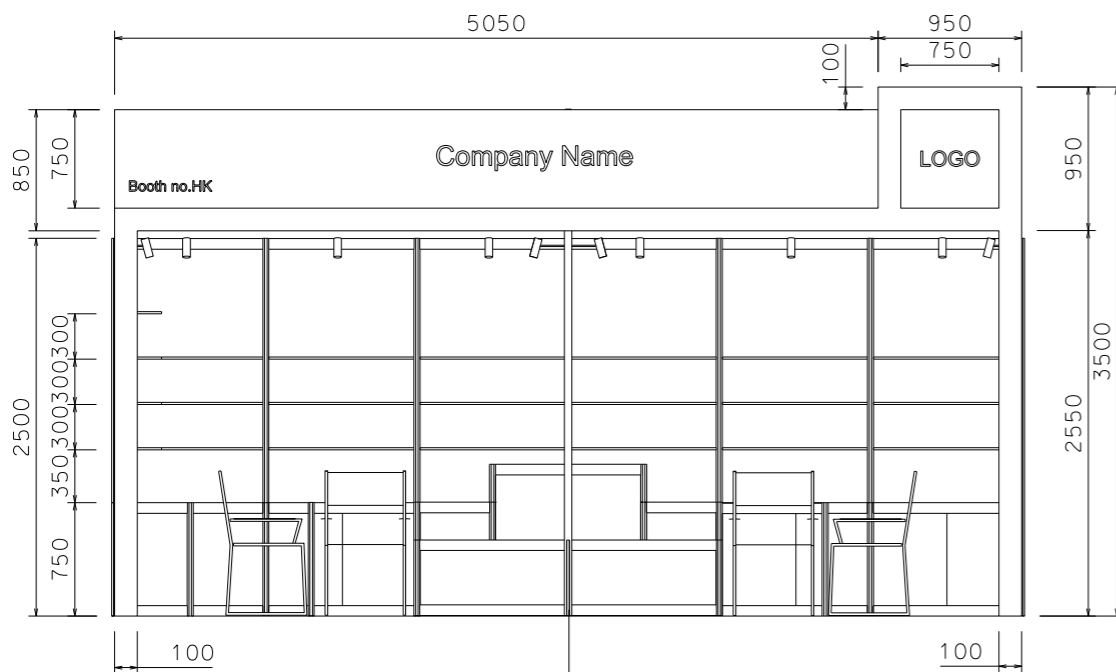
PLAN



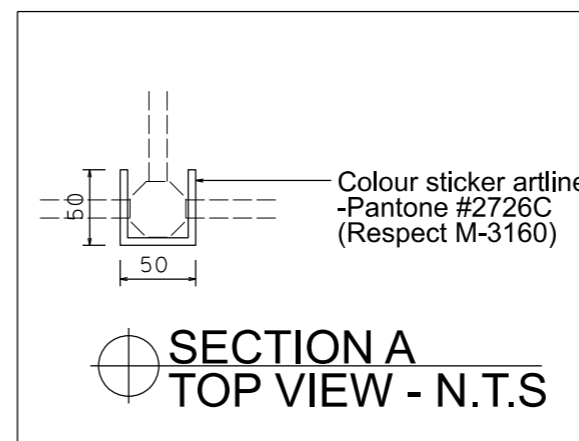
PERSPECTIVE N.T.S



COLOUR PERSPECTIVE N.T.S



FRONT ELEVATION



SECTION A
TOP VIEW - N.T.S

BOOTH SPECIFICATION		QTY
	Lockable cabinet in purple-blue sticker lamination (1mL x 0.5mD x 0.75mH)	8.5
	Wooden shelf (flat) (1mL x 0.3mD)	30
	0.5mX 0.5mX 1mH display podium in blue sticker lamination	2
	0.5mX 0.5mX 0.75mH display podium in blue sticker lamination	2
	1mX 0.5mX 0.5mH display podium in blue sticker lamination	2
	Square meeting table (0.7m X0.7m x 0.75mH)	2
	Black leather chair	6
	Longarmed spotlight w/13 watt LED lamp (yellow)	16
	500w Square pin power socket	2
	Company logo	1

FILE PATH - L:\Local Fair Premium Booth 2011\SD\Layouts\13W_Lamp\SD-B-Layout\SD-B-2dLayout.dgn



NOTES

UNLESS OTHERWISE SPECIFIED ALL DIMENSIONS ARE IN MM.

.....
.....
.....

REVISION

09-02-2009
14-07-2009
20-01-2010
07-04-2011
29-11-2018

DATE: 29-11-2018

SCALE: 1 : 50 (A3)

DRAWN BY: ..

CHECKED BY:

TITLE

Premium Booth
SD-B-18
R-corner

PROJECT

PREMIUM BOOTH
6m x 3m

DATE: XXXXXXXX

SHEET

SD-B05b